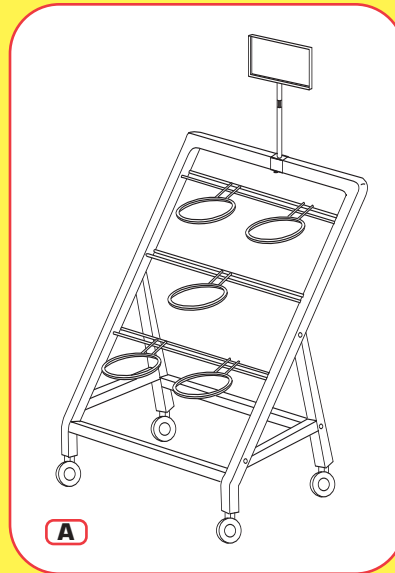




Total Retail Solutions®

Mobile European Flower Cart

The Mobile European Flower Cart from FFR-DSI increases impulse flower sales with its attractive galvanized metal display. Casters allow for mobility to sell fresh bouquets in any department of the store, while the two casters lock to keep display in place. Telescopic sign frame clamps to top rail and adjusts from 12" to 18" H to feature special pricing. Holds five galvanized floral vases and folds flat for shipping.



Features and Benefits

- Creates impulse purchases.
- Casters allow for easy mobility.
- Two Casters lock to keep display in place.
- Includes telescopic sign fram to feature specials.
- Folds flat for shipping.
- Minimum assembly required.

Specifications

- A** Mobile European Flower Cart
 - Flower Cart with five vases - No. 9923412247
 - Cart: 38" H x 9" W
 - Floral vase: 12" H x 7" Diameter
 - Sign Frame: 7" H x 11" W
 - Telescopes from 12" to 18" H
 - Material
 - Galvanized metal

See our complete line of Floral merchandising products, as well as thousands of other retail solutions, in the FFR-DSI YELLOW PAGES® Catalog.